

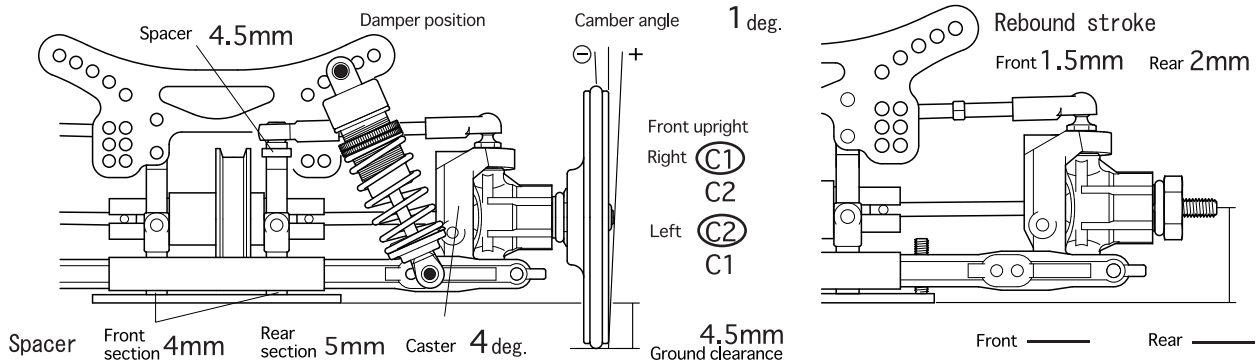
TRF414M

SETTING SHEET

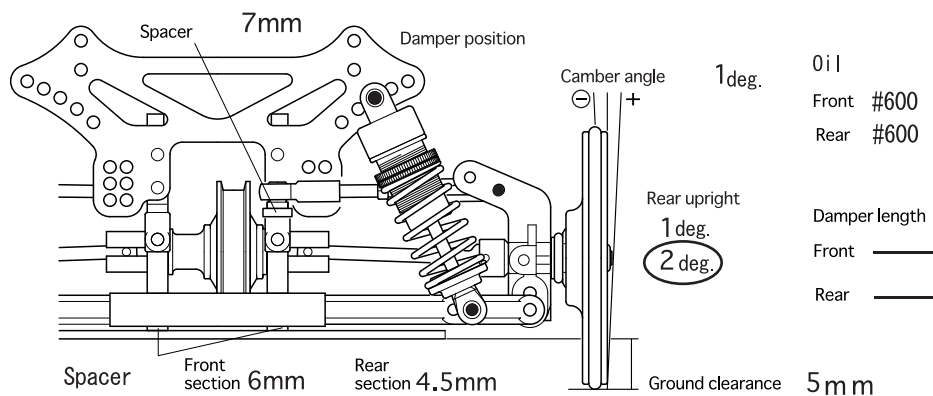
Name **Surikarn Chaidajsuriya** Date **May 18, 2002** Air temp _____ Humidity _____

Track **Keywest Center On Road Circuit Mogale City, South Africa** Track condition _____ Track temp _____

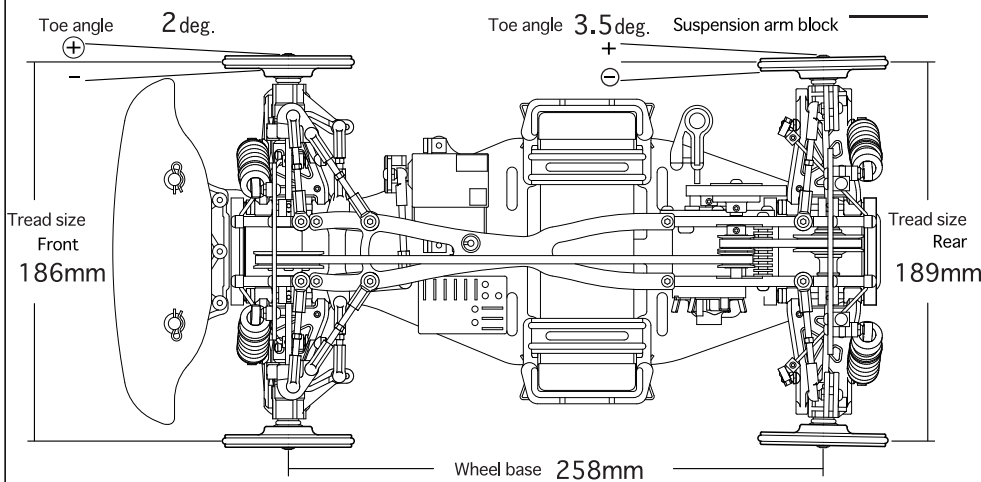
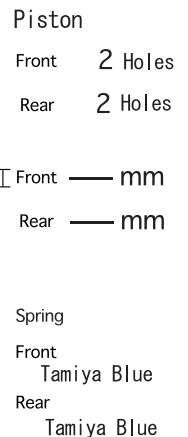
<<Front Section>> Front differential **Front one-way**



<<Rear Section>> **Center one-way** Center direct pulley



<<Damper>>



Stabilizer

Front 1.8mm Rear 1.6mm
Tire Spec. tire
Wheel Dish Type (included) in kit
Insert Spec. insert
Inner hardness _____
Liquid for traction _____

Motor	Spur gear	Pinion gear
Reedy 8T	128T	30T
Battery	Body	
Reedy 3000HV	Protoform Dodge Stratus	
Wing	Wing spacer	
Ride Big	0mm	

Memo

Putting a thick spacer in suspension arm block raises roll center, allowing more aggressive rolling and more fluid turns. Recommended for technical courses.

*Making modifications is necessary when adjusting settings