

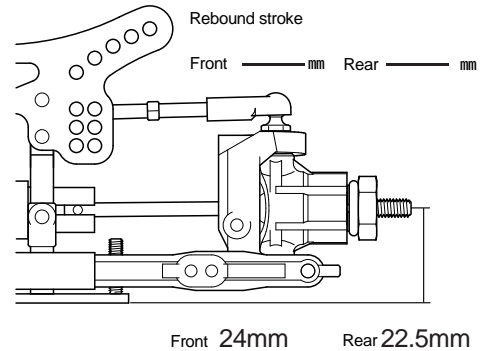
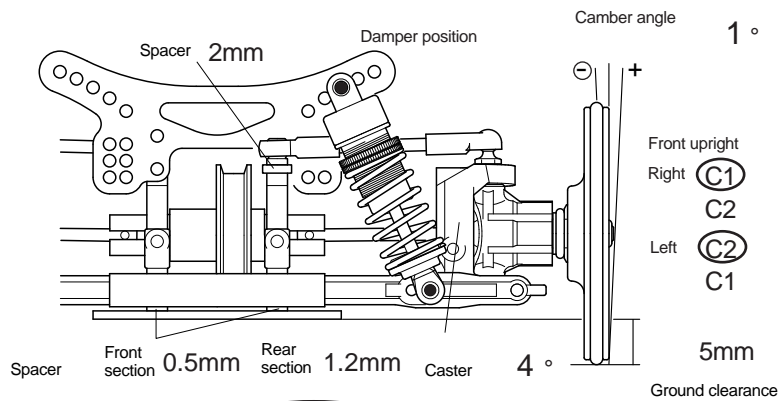
TRF414

SETTING SHEET

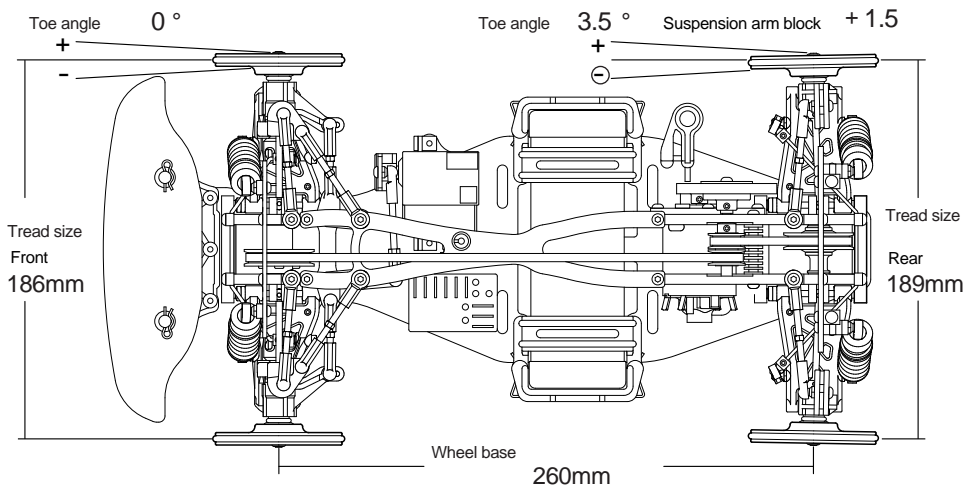
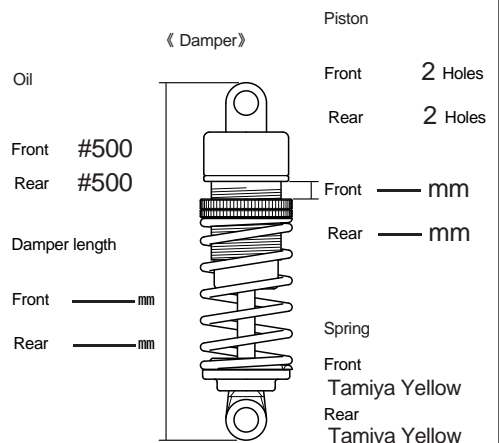
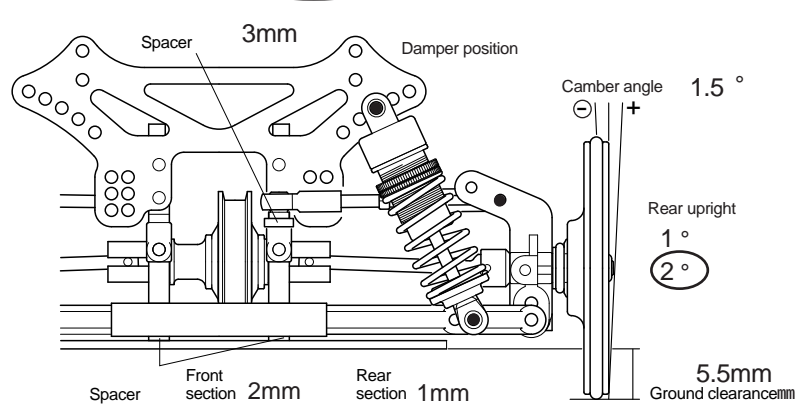
Name **Surikarn Chaidajsuriya** Date **2001.12.16** Air temp **18** Humidity **70%**

Track **Hong Kong International Race Set Up Circuit** Track condition _____ Track temp **25**

《Front section》 Front differential **Front one-way**



《Rear section》 Center one-way Center direct pulley



| | | |
|---------------------|-----------------------------|-----------|
| Stabilizer | Front Blue | Rear Blue |
| Tire | Sorex32R | |
| Wheel | Dish Type (included) in kit | |
| Inner | Ride White | |
| Inner hardness | Soft 15° | |
| Liquid for traction | Buggy Grip | |

| | | |
|--------------|----------------------------|-------------|
| Motor | Spur gear | Pinion gear |
| Reedy 8T | 122 T | 30 T |
| Battery | Body | |
| K.C.M 3000HV | Protoform Dodge Stratus | |
| Wing | Wing spacer | |
| Ride Big | 0mm | |

Memo
The track grip was not very good, so I adjusted the settings for stable running under those circumstances.